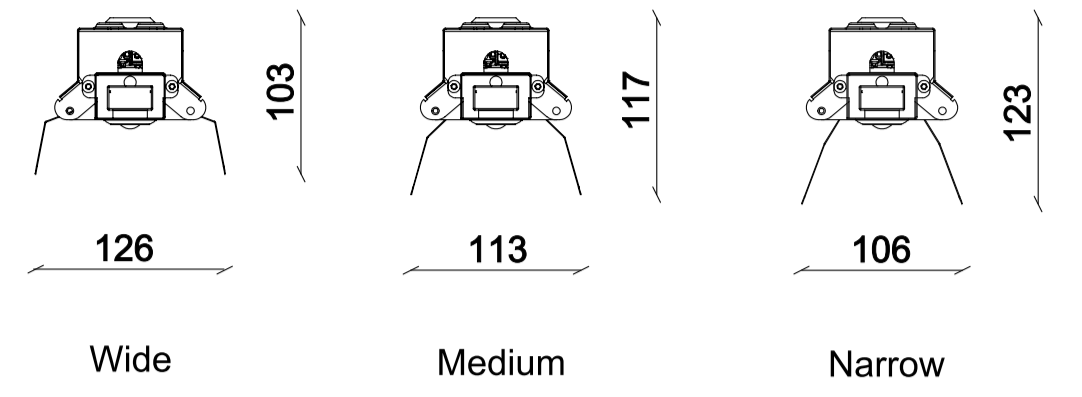
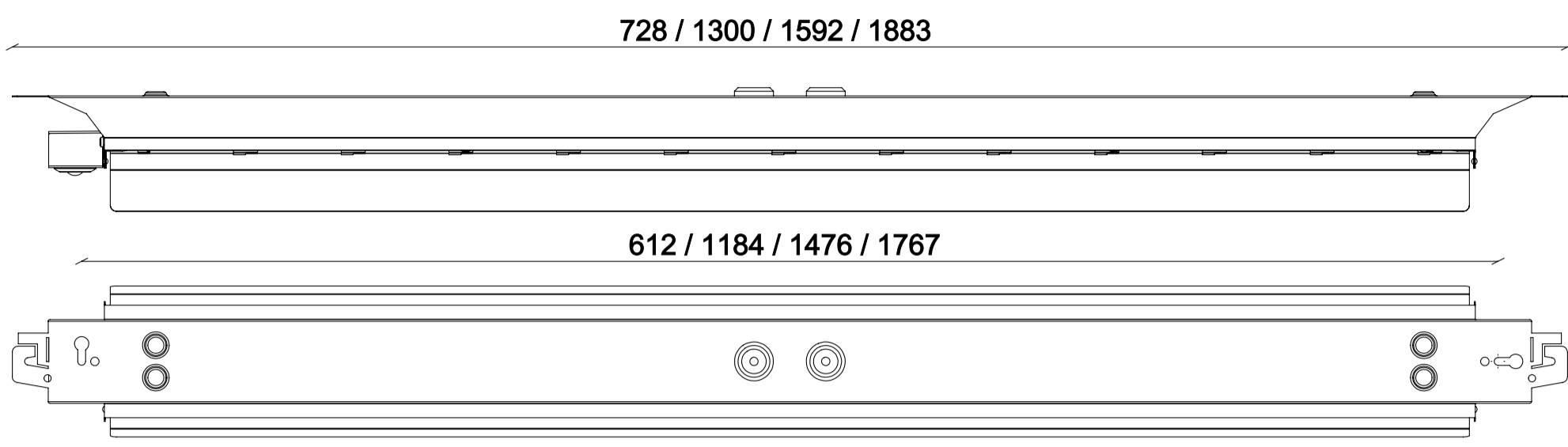
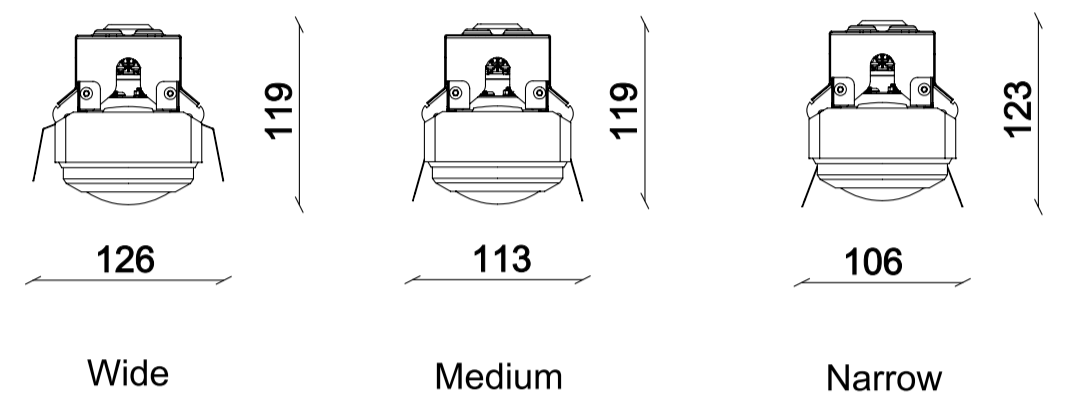
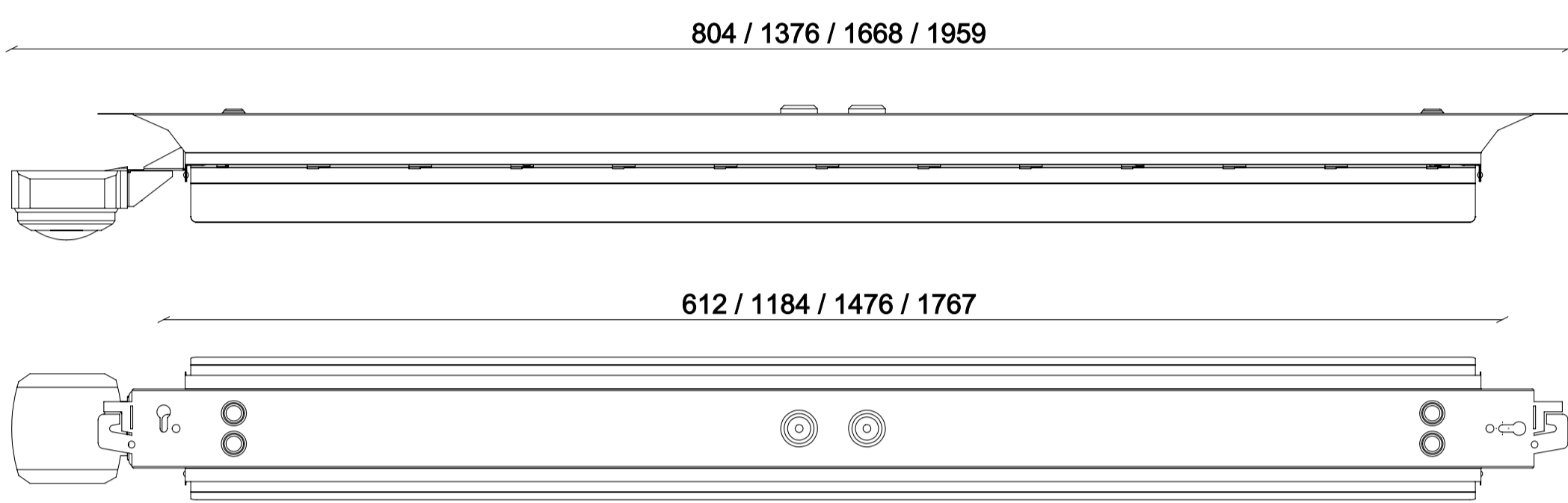


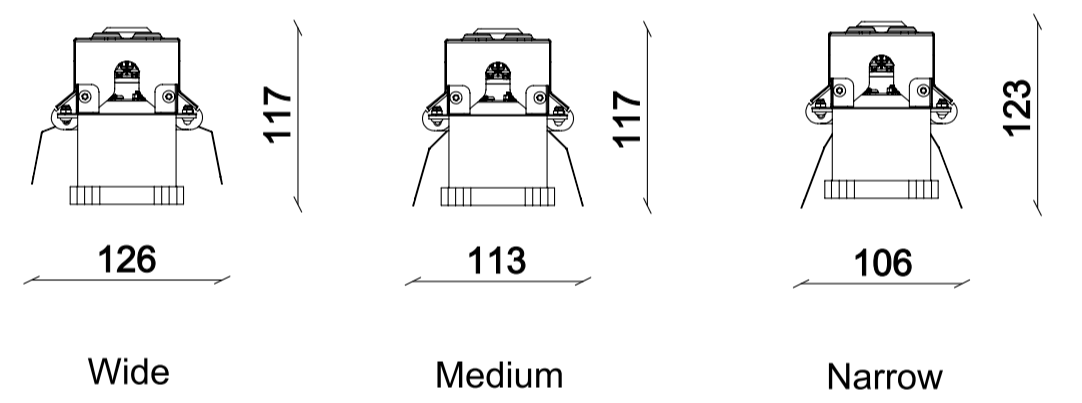
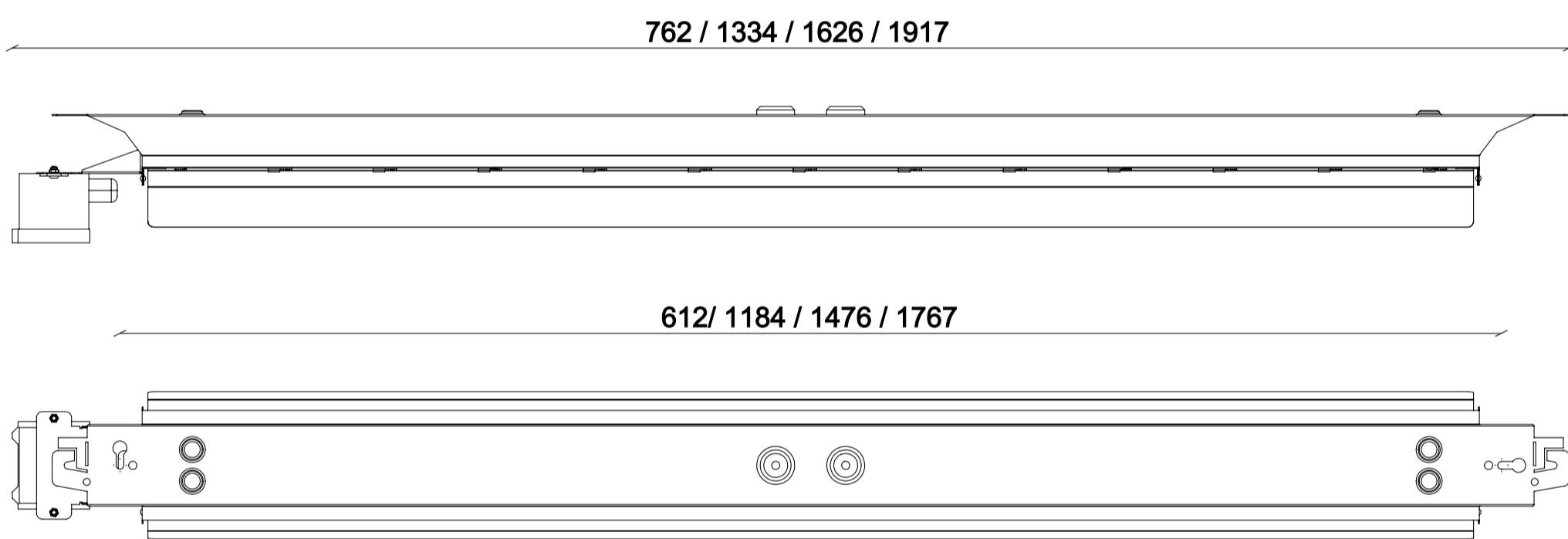
OAK with ST701MB, microwave sensor / G3 SFI 30 PIR 10DPI WH, Msensor



OAK with DLA-V, Digital Lightelligence Agent



OAK with HMW38 RF/HMW39 RF, HF Motion Sensor



OAK with Canalis

